



BALANCE TABLE

CONTENTS

Standard Hood Features **3**

Models **4**

Balance Table **5-6**

Granite Top **7**

Warranty **8**

Balance Table Features



The balance table is used for analytical balances and other sensitive measuring equipment. Advancelab's Balance Tables provide superior stability for highly calibrated equipment. A heavy slab of concrete is specially mounted on a supporting construction. The supporting construction for the slab is vibration isolated from outer worktop.

- Two thickness of table top, 20mm and 60mm
- Fabricated with 75mm x 75mm epoxy powder coating galvanized steel
- An electro-galvanized steel lateral support beam adds strength and rigidity
- Superior load bearing capability and the rigidity necessary to support sensitive calibrated instrumentation
- Anti vibration leg reduce vibrations going into the floor or table
- Table top are granite surface
- Excellent acid, alkali and corrosion proof performance
- Resistance to as high as 1200°C
- Eco-friendly and space saving
- Easy to clean and maintenance

Model

Balance Table		
MODEL	Sizes (L x D x H)	Construction
AD0202BT	600 mm x 600mm x 900mm	<ul style="list-style-type: none"> • 60mm thick granite top • 75mm x 75mm square tube heavy duty construction with epoxy powder coating • 80mm diameter anti-vibration legs
AD0302BT	900 mm x 600mm x 900mm	
AD0303BT	900 mm x 900mm x 900mm	
AD0402BT	1200 mm x 600mm x 900mm	
Granite Top with 60mm Thickness		
MODEL	Sizes (L x D x H)	Construction
AD1212-02GT	300 mm x 300mm x 60mm	
AD1818-02GT	450 mm x 450mm x 60mm	
AD2418-02GT	600 mm x 450mm x 60mm	
AD2424-02GT	600 mm x 600mm x 60mm	
Granite Top with 20mm Thickness		
MODEL	Sizes (L x D x H)	Construction
AD1212-01GT	300 mm x 300mm x 20mm	
AD1818-01GT	450 mm x 450mm x 20mm	
AD2418-01GT	600 mm x 450mm x 20mm	
AD2424-01GT	600 mm x 600mm x 20mm	

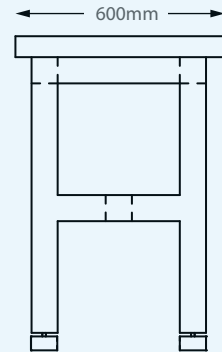
Balance Table

AD0202BT

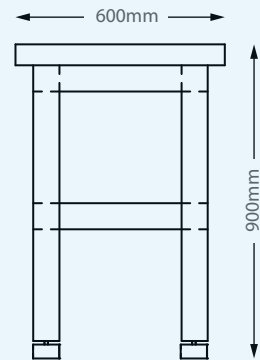
600mm x 600mm x 900mm



Front View



Side View

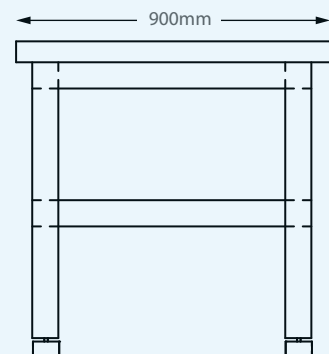


AD0302BT

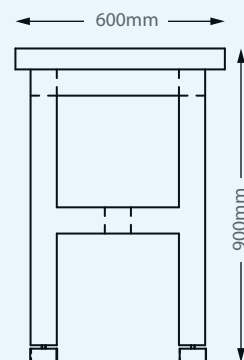
900mm x 600mm x 900mm



Front View



Side View



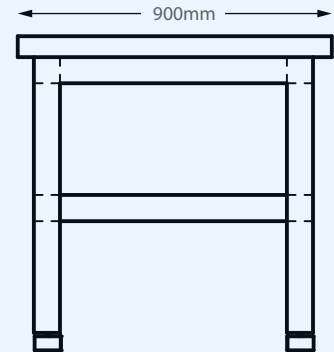
Balance Table

AD0303BT

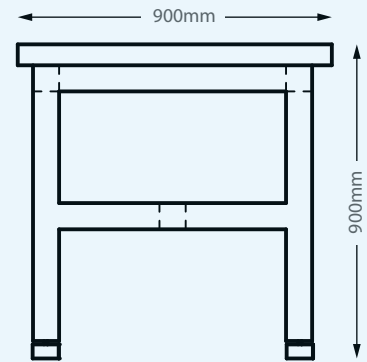
900mm x 900mm x 900mm



Front View



Side View

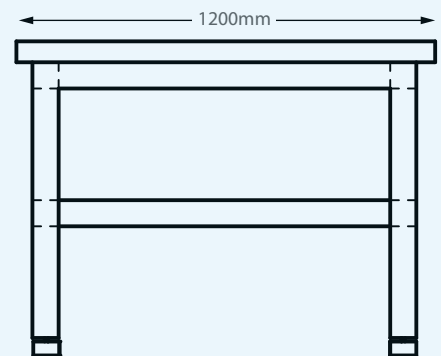


AD0402BT

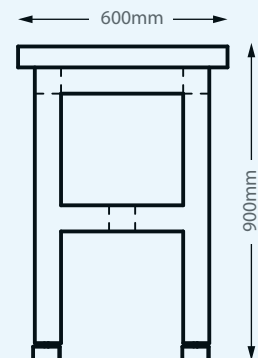
1200mm x 600mm x 900mm



Front View



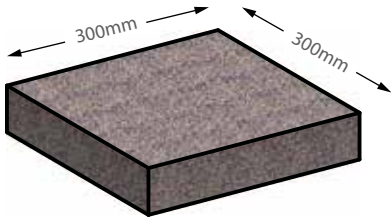
Side View



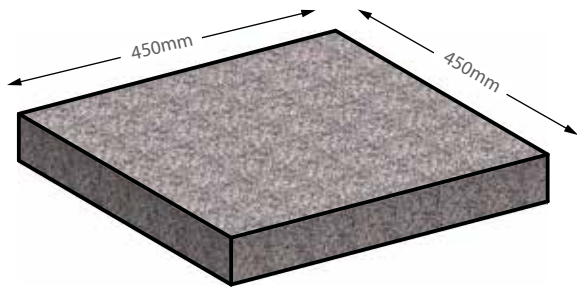
Granite Top

Granite 60mm

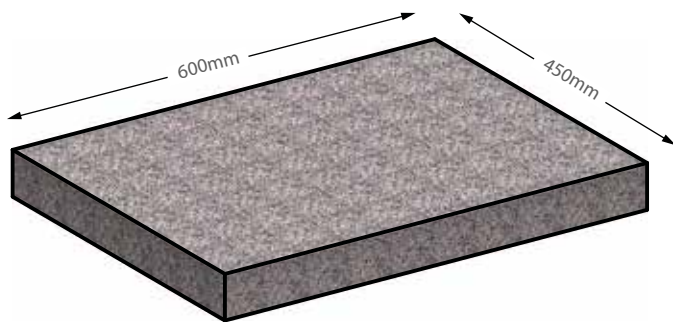
AD1212-02GT
300mm x 300mm x 60mm



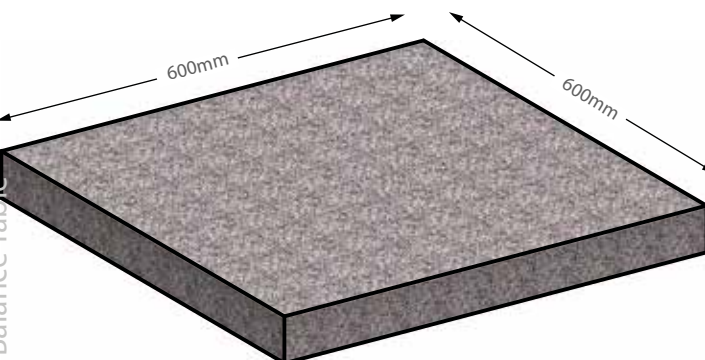
AD1818-02GT
450mm x 450mm x 60mm



AD2418-02GT
600mm x 450mm x 60mm

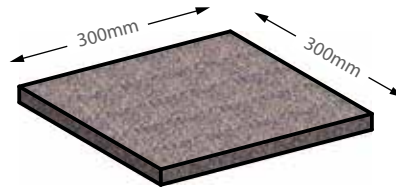


AD2424-02GT
600mm x 600mm x 60mm

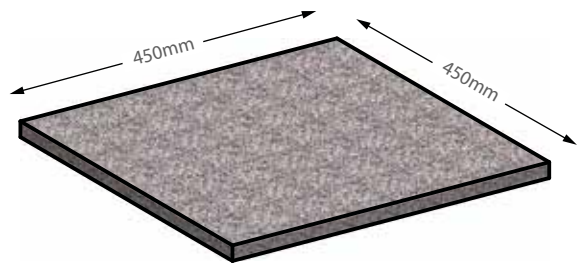


Granite 20mm

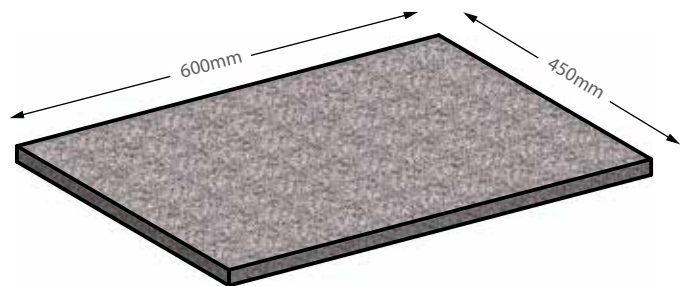
AD1212-01GT
300mm x 300mm x 20mm



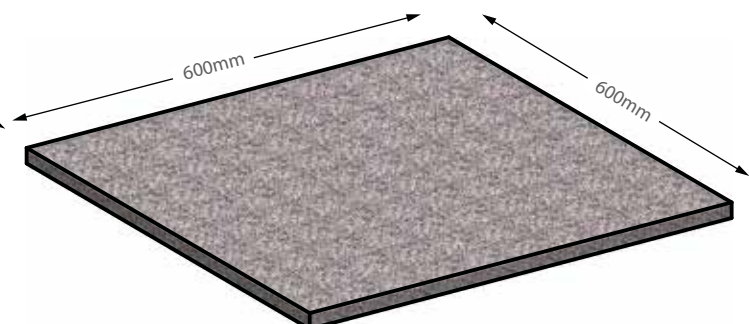
AD1818-01GT
450mm x 450mm x 20mm



AD2418-01GT
600mm x 450mm x 20mm



AD2424-01GT
600mm x 600mm x 20mm



Warranty

Products Manufactured by Advancelab: Advancelab(S) Pte.Ltd., warrants products that it manufactures to be free from defects for a period of 12 months for parts, commencing from the date of shipment. Advancelab's sole responsibility is to repair or replace, at its option, any part of the product that proves defective or malfunctioning during this time limit. This warranty is void if the equipment is abused or modified by the customer, is operated outside Advancelab's operating instructions or specifications, or is used in any application other than that for which it is specified. This warranty does not include routine maintenance or service procedures, breakage, shipping damage, nor damage from misuse, intentional or unintentional abuse, neglect, natural disasters, or acts of God.

Freight Shortage or Damage: Upon receipt of any equipment from Advancelab, customer shall immediately unpack and inspect for damage or shortage. The customer shall not accept a damaged package or a short shipment until the carrier makes a "damage or shortage" notation on both the carrier's and customer's copy of the freight bill or delivery receipt. Service title passes when the shipment is loaded, so customer is responsible for filing and collecting a freight claim. Any replacement products must be ordered and paid for separately.

Generally, customers can improve the chance of collecting on a freight claim by following these procedures:

1. Formally requesting that the carrier inspect the shipment immediately upon suspecting damage or shortage to verify condition.
2. Notifying the carrier upon discovery of concealed damage and requesting an inspection within 15 days of receipt, both in person or phone and following up via mail.
3. Keeping the shipment as intact as possible, including retaining original packaging materials and keeping the product as close to the original receiving location as possible.
4. Holding salvage for disposition by the carrier.

All Claims: Advancelab (S) Pte.Ltd., expressly disclaims all other warranties, expressed or implied or implied by statute, including the warranties of merchantability or fitness for intended use. Advancelab is not responsible for consequential or incidental damages arising out of the purchase or use of the products supplied by Advancelab. Advancelab is not liable for damage to facilities, other equipment, products, property or personnel of others, or of their agents, suppliers, or affiliated parties, which is caused or alleged to have been caused by products supplied by Advancelab. In any event or series of events, Advancelab's total liability for any and all damages whatsoever is limited to the lesser of the actual damages or the original invoice cost of the items alleged to have caused the damage. The customer's sole and exclusive remedy for any cause of action whatsoever is repair or replacement of the non-conforming products or refund of the actual purchase price, at the sole option of Advancelab. All claims must be made in writing within 90 days of the date the product was shipped. Any claims not made within this time limit shall be deemed waived by the customer. Advancelab is not responsible for any additional costs of repair caused by poor packaging or in-shipment damage during return.

Warranty Returns: All warranty returns must be authorized in advance by Advancelab and approved by writing. Unless approved in advance for good reason, all returns must be in original condition, including all manuals, and must be packaged in original packaging materials. All returned goods are to be shipped to Advancelab, freight prepaid at customer's expense.



BAVANCE
ETAB
LE

Singapore

Advancelab (S) Pte Ltd

No.52 Senang Crescent,
Singapore 416619
Tel: +65 6448 8255
Fax: +65 6448 9833
Email: info@advancelab.com.sg
Website: www.advancelab.com.sg

Malaysia

Advancelab Sdn Bhd

KL Office: Unit B-1-10, Block B, No. 2,
Jalan PJU 1A/7A, Oasis Square, Ara
Damansara, 47301 Petaling Jaya,
Selangor Darul Ehsan, Malaysia.
Tel: +603 7831 0188
Fax: +603 78310588
Email: info-my@advancelab-global.com
Website: www.advancelab.com.sg

Johor Factory: No. 3388, Jalan
Pekeliling Tanjung 27/2, Kawasan
Perindustrian Indahpura, 81000
Kulaijaya, Johor, Malaysia.
Tel: +607 660 8877
Fax: +607 660 8866
Email: info-my@advancelab-global.com
Website: www.advancelab.com.sg

Myanmar

Advancelab Scientific &
Engineering Co., Ltd

No(81/2), 7th Street, Than Thu Mar Road,
(14/1)Quarter, South Okkalapa Township,
11091 Yangon, Myanmar.
Tel: +95 (1) 572393 / +95 (9) 779753802
Fax: +95 (1) 572393
Email: info-mm@advancelab-global.com
Website: www.advancelab.com.sg

Indonesia

PT. Advancelab Saintifik

Jl. Boulevard Raya Blok QJ 5 No. 23
Kelapa Gading, Jakarta Utara, 14240
Indonesia
Tel: +6221 45854569 / +6221 45854570
Fax: +6221 45854570
Email: info-id@advancelab-global.com
Website: www.advancelab.com.sg

Thailand

Advancelab (Thailand)
Co., Ltd.

147 / 170 - 171 Baromrajchonnanee
Road, Arunamarin Bangkoknoi, Bangkok
10700, Thailand.
Tel: +66 2 884 9480
Fax: +66 2 884 6441
Email: primasci@advancelab-global.com
Website: www.advancelab.com.sg

U.A.E (Dubai)

Advancelab FZCO

No.FZJOAB1310
Jafza One, Jebel Ali Dubai
United Arab Emirates
Email: info@advancelab.com.sg
Website: www.advancelab.com.sg

Vietnam

Advancelab Pte Ltd

83/10 Bach Dang Street, Ward 2,
Tan Binh District,
Ho Chi Minh City 700000, Vietnam
Tel: +84 8 2244 6300
Fax: +84 8 3845 1974
Email: info@advancelab.com.sg
Website: www.advancelab.com.sg

